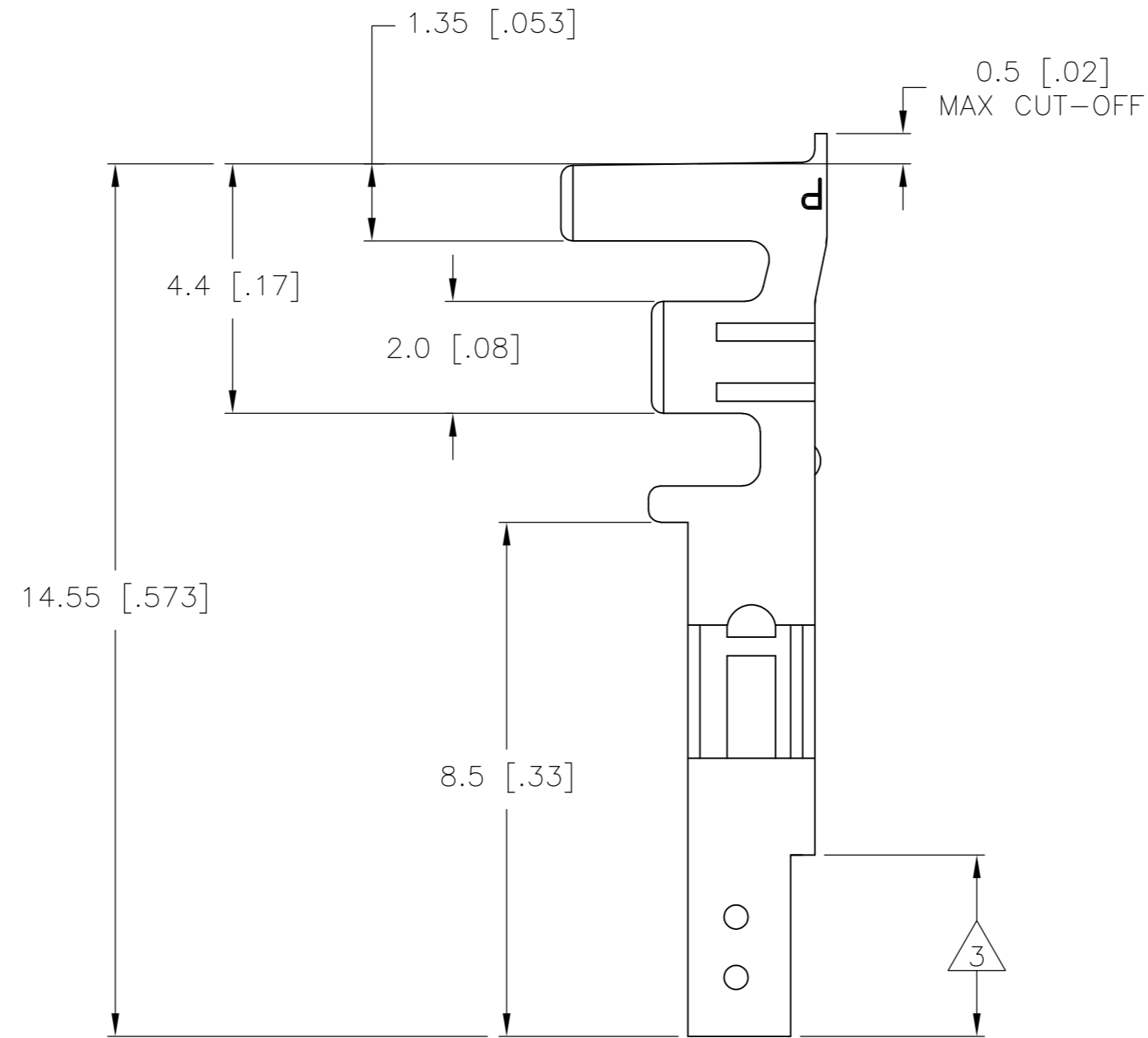
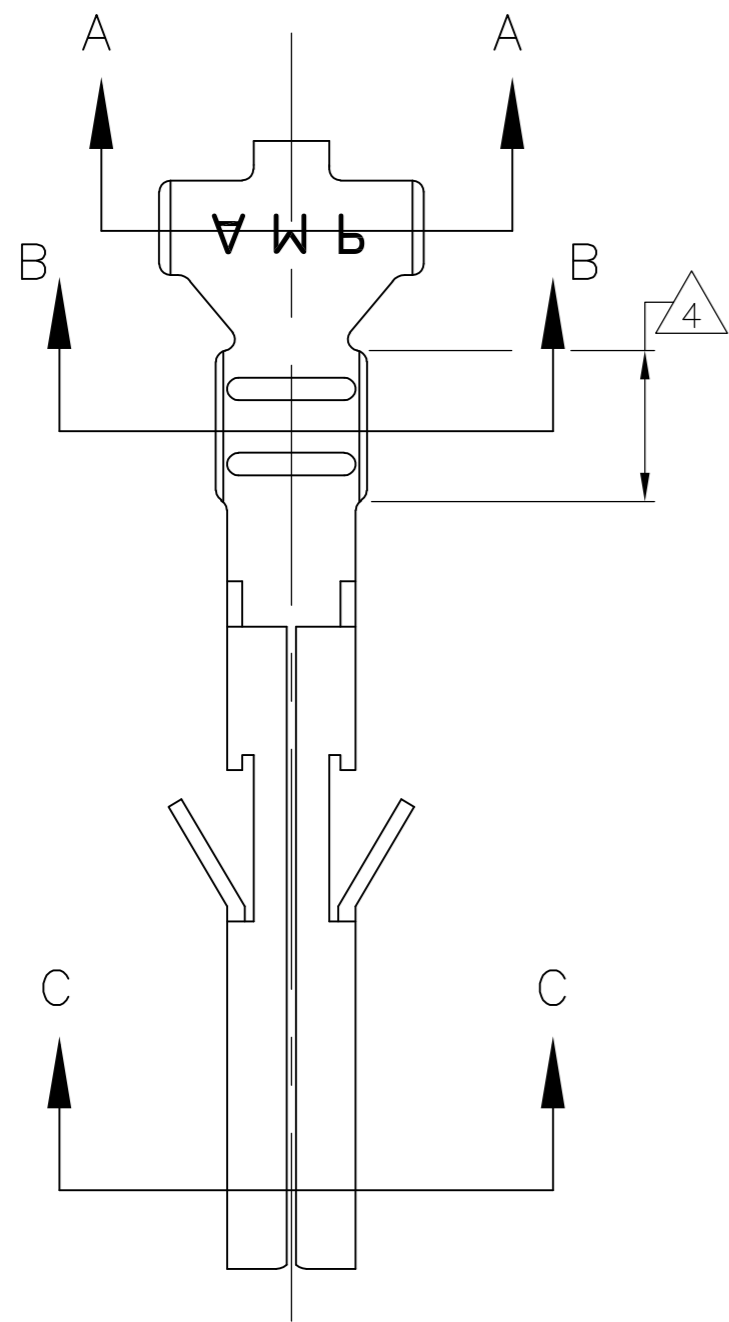
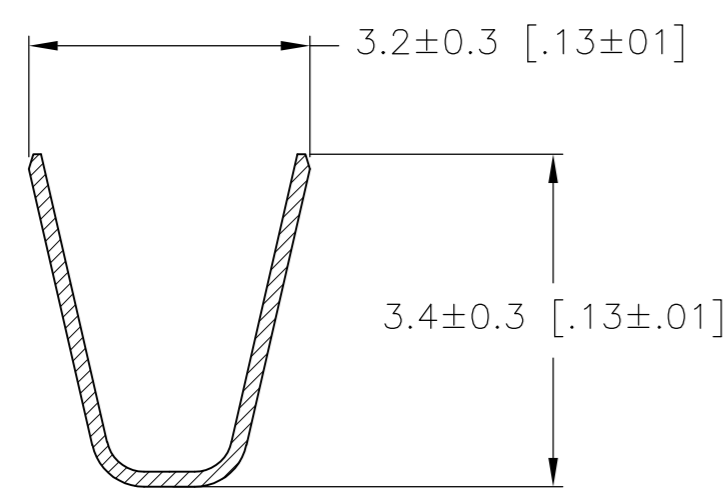


THIS DRAWING IS UNPUBLISHED. RELEASED FOR PUBLICATION  
 © COPYRIGHT BY TYCO ELECTRONICS CORPORATION. ALL RIGHTS RESERVED.

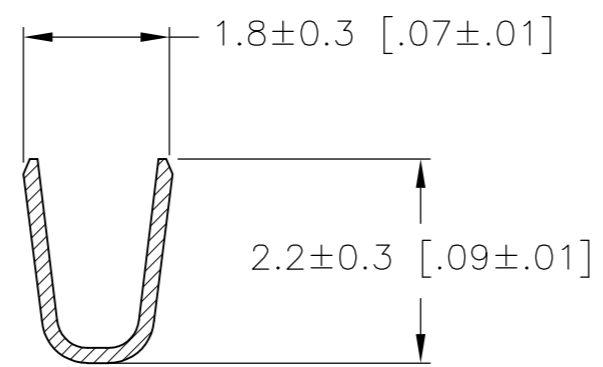
LOC	DIST	REVISIONS					
CM	00	P	LTR	DESCRIPTION	DATE	DWN	APVD
		A		REVISED PER ECO-08-006888	24MAR08	HMR	CC



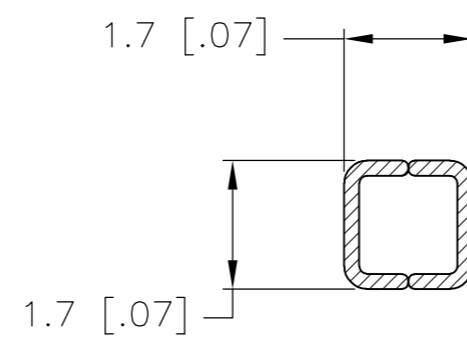
- 1 WIRE RANGE: 0.13–0.32mm<sup>2</sup> (22–26 AWG).
- 2 INSULATION RANGE: 1.20–1.75 DIA.
- 3 FINISH: 0.76µm MIN GOLD OVER 1.27µm MIN NICKEL REQUIRED ON INNER SURFACE, PERMITTED ON OUTER SURFACE.
- 4 FINISH: 2.54µm MIN TIN ON ALL SURFACES IN THIS AREA.



SECTION A-A



SECTION B-B



SECTION C-C

GOLD	3 4	PHOS. BRZ.	1586317-4
PRE-TIN		PHOS. BRZ.	1586317-3
GOLD	3 4	BRASS	1586317-2
PRE-TIN		BRASS	1586317-1
FINISH:		MATERIAL:	PART NO.

THIS DRAWING IS A CONTROLLED DOCUMENT.		DWN	S. HOOVER	14-OCT-2003	Tyco Electronics Corporation Harrisburg, PA 17105-3608
DIMENSIONS:		CHK	D. COLEY	14-OCT-2003	
mm [INCHES]		APVD	D. COLEY	14-OCT-2003	
TOLERANCES UNLESS OTHERWISE SPECIFIED:		PRODUCT SPEC	NAME		
0 PLC	±	APPLICATION SPEC	TERMINAL LOOSE PIECE, SOCKET		
1 PLC	± 0.3 [.01]	WEIGHT	SIZE	A2	
2 PLC	± 0.15 [.004]	CUSTOMER DRAWING	CAGE CODE	00779	
3 PLC	± 0.050 [.0020]	SCALE	10:1	SHEET	
4 PLC	±	RESTRICTED TO	C=1586317		
ANGLES	±	REV	A		

1586317